

DH-TPC-BF2221-T

Thermal Body Temperature Monitoring Camera



- 256 × 192 Vanadium Oxide Uncooled FPA
- Athermalized lens (thermal camera), focus-free
- Smart linkage with strobe light & audio
- Temperature Accuracy $\pm 0.3^{\circ}\text{C}$ with black body
- Temperature Measurement Range: 30°C to 45°C
- IP67; Micro SD storage

System Overview

Featuring two video channels, it can realize the high accuracy temperature measurement. This series is designed for preliminary body temperature screening.

Technical Specification

Thermal

Effective Pixels	256 × 192
Spectral Range	8 μm –14 μm
Thermal Sensitivity (NETD)	$\leq 50\text{mK}@f/1.0$
Focal Length	7.5mm
Field of View	H: 32.4° V: 24.6°
Focus Mode	Athermalized
Aperture	F/1.0
Digital Detail Enhancement (DDE)	Yes
AGC	Auto; Manual
Noise Reduction	2D NR; 3D NR
Image Flip	180°/Mirror
Color Palettes	18 (Whitehot/Blackhot/Ironrow/Icefire/Fusion/Rainbow/Globow/Iconbow1/Iconbow2 .etc)
Temperature Measurement Range	30°C to 45°C (86°F to 113°F)
Temperature Accuracy	$\pm 0.3^{\circ}\text{C}$ (with black body) when the environment temperature is 10°C to 30°C (50°F to 86°F)

Visible

Image Sensor	1/2.8 inch CMOS
Effective Pixels	1920 × 1080
Max. Resolution	2MP
Electronic Shutter Speed	1/30000s–1s
Min. Illumination	Color: 0.01 Lux Black & white: 0.001 Lux 0 Lux (IR on)
IR Illumination Distance	50 m (164 ft)
IR Illuminator On/Off Control	Auto; Manual
Focal Length	6 mm
Aperture	F/2.0
Field of View	H: 52.8° V: 30.3°
Focus Mode	Fixed
Close Focus Distance	1.6 m (5.2 ft)
BLC	Yes
WDR	Yes
HLC	Yes
White Balance	Auto/Manual/Indoor/Outdoor/Tracking/Sodium lamp/Street lamp/Natural
AGC	Auto; Manual
Noise Reduction	2D NR; 3D NR
S/N Ratio	≥ 55 dB

Region of Interest (RoI)	Yes
Image Flip	180°/Mirror
Exposure Compensation	Yes

Video and Audio

Video Compression	H.265/H.264M/H.264H/H.264B
Resolution	Thermal Main stream: 1280 × 1024, 1280 × 960, 1280 × 720, 400 × 300. 1280 × 960 by default Sub stream: 640 × 512, 640 × 480, 400 × 300. 400×300 by default Visible Main stream: 1080P (1920 × 1080), 720P (1280 × 720), D1 (704 × 576). 1080P by default Sub stream: D1 (704 × 576), CIF (352 × 288). CIF by default
Frame Rate	Thermal (50Hz): Main stream: 1fps–25fps adjustable. 25fps by default; sub stream: 1fps–25fps adjustable. 15fps by default. Visible (50Hz): Main stream: 1fps–25fps adjustable. 25fps by default; sub stream: 1fps–25fps adjustable. 15fps by default.
Audio Compression	G.711a; G.711mu; AAC; PCM

Network

Protocol	HTTP; HTTPS; TCP; ARP; RTSP; RTP; UDP; RTCP; SMTP; FTP; DHCP; DNS; DDNS; PPPOE; IPv4/v6; SNMP; QoS; UPnP; NTP; Multicast; SFTP; 802.1x;
Edge Storage	Micro SD card (256G)
Interoperability	ONVIF; CGI; DAHUA SDK
Browser	IE: IE8 and the later, and explorer with IE core Google: 42 and the earlier Firefox: 42 and the earlier
User/Host	20 users at most (total bandwidth 64Mbps)
Security	Authorized username and password; attached MAC address; encrypted HTTPS; IEEE 802.1x; controlled network access

Certification

Certifications	CE: EN55032:2015; EN61000-3-2:2014 FCC:CFR 47 FCC Part15 subpart B; ANSI C63.4-2014
----------------	--

Port

Ethernet	1 10M/100M Ethernet port (RJ-45)
Audio Input	1
Audio Output	1
Alarm Input	2
Alarm Output	1
RS-485	1

Power

Power Supply	12V±20% DC; POE (802.3af); ePOE
Power Consumption	Basic consumption: <8W (12V DC) Max consumption: <18W (12V DC, without power adapter)

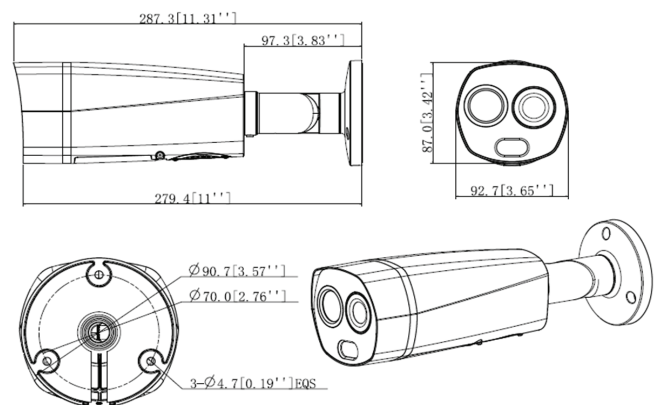
Environmet

Operating Temperature	10°C to +30°C (50°F to 86°F)
Operating Humidity	≤93%@40°C (104°F)
Ingress Protection	IP67

Structure

Dimensions	365mm×175mm×176mm (With bracket)
Net Weight	≤1.4 kg (3.09 lb)
Gross Weight	≤1.9 Kg (4.19 lb)

Dimensions (mm[inch])



DH-TPC-HBB

Corps noir



Présentation du produit

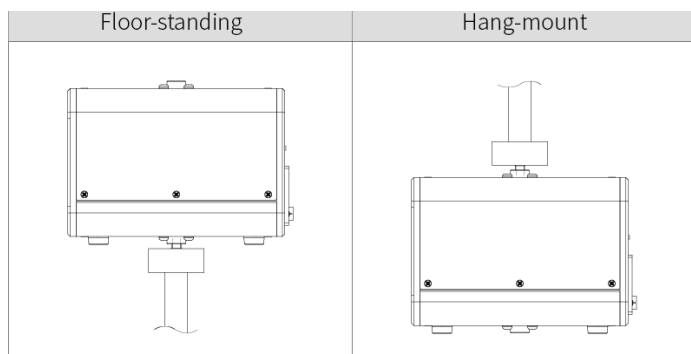
Le corps noir est l'appareil de calibration qui maintient une température constante comme point de référence pour la caméra thermique, pour s'assurer que la caméra thermique peut présenter la température la plus précise.

La caméra thermique couplée à l'appareil de calibration du corps noir offre une solution sans contact pour une surveillance continue, sans contact et non invasive de la température.

Spécification technique

Température de calibration par défaut.	35,0°C (95°F)
Plage	Température ambiante + 5,0 ° C (9,00 ° F) à 50,0 ° C (122 ° F)
Surface de rayonnement efficace	70 mm × 70 mm (2,76" × 2,76")
Résolution	0,1°C (0,18°F)
Précision	±0,2°C (0,36°F)
Stabilité	±(de 0,1 à 0,2)°C/30min [±(0,18 à 0,36)°F /30min]
Emissivité	0,97 (±0,01)
Source de courant	100-240V CA, 50/60Hz, 0,5A
Poids net	2,35 kg (5,18 lb)
Taille (L × H × P)	125 mm × 125 mm × 184 mm (4,92" × 4,92" × 7,24")
Température de fonctionnement	0°C à 40°C/≤80%HR [32,18°F à 104,00°F/≤80%HR]
Température de stockage	-10°C à 50°C/≤80%HR [-50,00°F à 122,00°F/≤80%HR]

Installation



Dimensions (mm [pouce])

